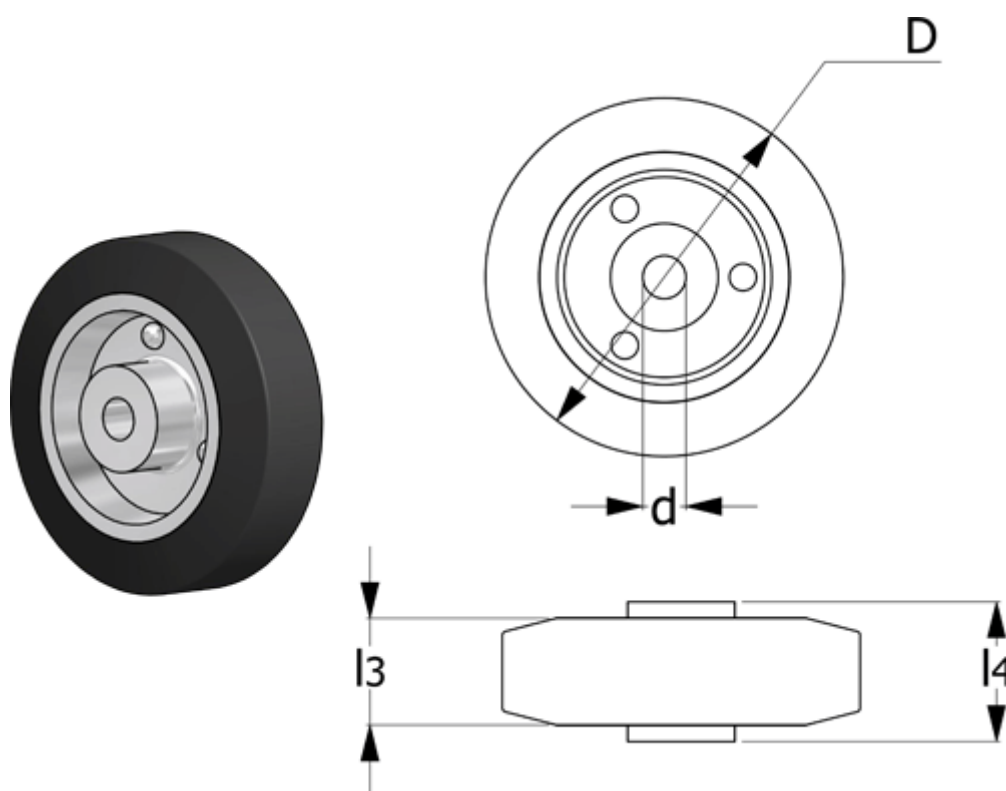


Article number: 2314450022

Description: E+G rubber wheel 450022
RE.E3-200-RBL loose wheel

Measures



Code	= 450022
d	= 20
D	= 200
Dynamic load (N)	= 2300
g	= 1750
H	= -
l3	= 50
l4	= 58

Max static load (N)	= 4100
Rolling resistance (N)	= 1400
Type	= RE.E3-200-RBL